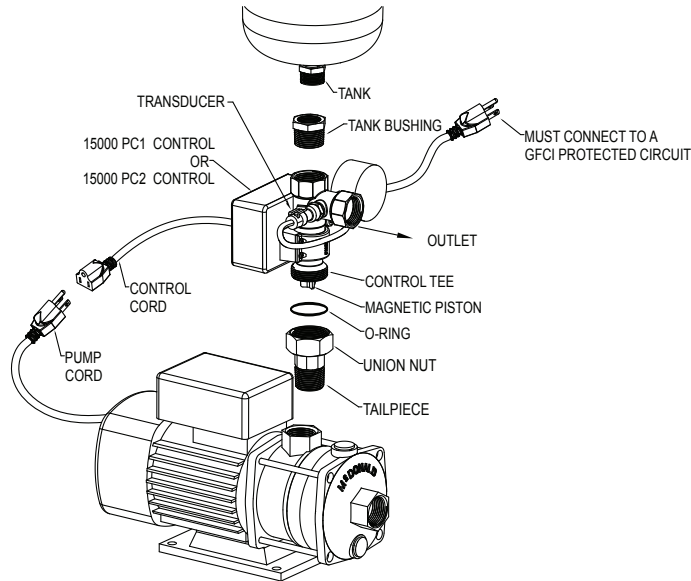




IMPORTANT NOTICE - READ CAREFULLY

Repair Tee Assembly Instructions



1. Disconnect power from wall.
2. Isolate pump by closing valves and drain.
3. Disconnect power coupling from transducer.
4. Remove tank and bushing.
5. Remove Union Nut from tailpiece.
6. Remove tail piece.
7. Remove transducer and control panel from tee.
8. Assemble transducer to tee (Reducing bushing supplied if needed).
9. Assemble control panel to tee.
10. Apply pipe sealant on the male threads of tailpiece. Install into outlet of pump. **DO NOT apply any pipe sealant on pump threads.**
11. Make sure the union nut is over the tailpiece before threading into pump.
12. Apply pipe sealant on male threads of tank bushing. Install into top of control tee.
13. Apply pipe sealant on tank threads and install into top of tank bushing. Tank should only be tightened using wrench flats. Pressurize tank. NOTE: Pressure must be set 2 psi less than the start press of the pump.
14. Plug in transducer and control cord of pump.

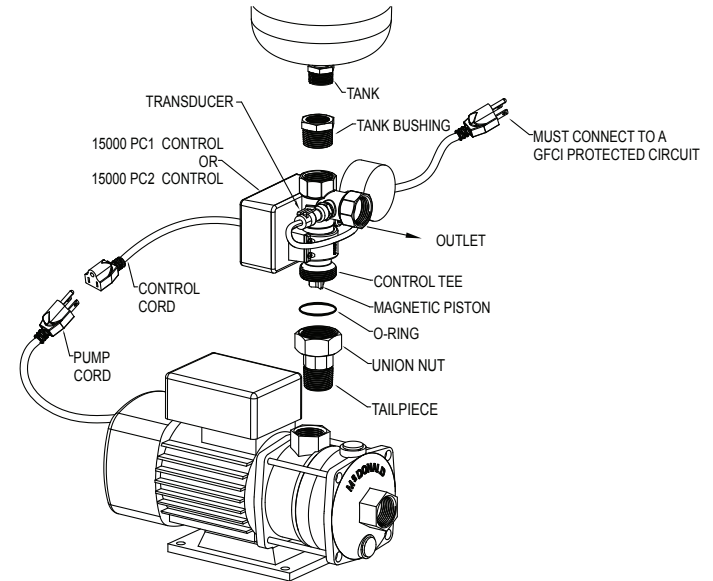


WARNING: It is unlawful in CALIFORNIA & VERMONT (effective 1/1/2010); MARYLAND (effective 1/1/2012); LOUISIANA (effective 1/1/2013) and the UNITED STATES OF AMERICA (effective 1/4/2014) to use any product in the installation or repair of any public water system or any plumbing in a facility or system that provides water for human consumption if the wetted surface area of the product has a weighted average lead content greater than 0.25%. This prohibition does not extend to service saddles used in California, Louisiana or under USA Public Law 111-380.



IMPORTANT NOTICE - READ CAREFULLY

Repair Tee Assembly Instructions



1. Disconnect power from wall.
2. Isolate pump by closing valves and drain.
3. Disconnect power coupling from transducer.
4. Remove tank and bushing.
5. Remove Union Nut from tailpiece.
6. Remove tail piece.
7. Remove transducer and control panel from tee.
8. Assemble transducer to tee (Reducing bushing supplied if needed).
9. Assemble control panel to tee.
10. Apply pipe sealant on the male threads of tailpiece. Install into outlet of pump. **DO NOT apply any pipe sealant on pump threads.**
11. Make sure the union nut is over the tailpiece before threading into pump.
12. Apply pipe sealant on male threads of tank bushing. Install into top of control tee.
13. Apply pipe sealant on tank threads and install into top of tank bushing. Tank should only be tightened using wrench flats. Pressurize tank. NOTE: Pressure must be set 2 psi less than the start press of the pump.
14. Plug in transducer and control cord of pump.



WARNING: It is unlawful in CALIFORNIA & VERMONT (effective 1/1/2010); MARYLAND (effective 1/1/2012); LOUISIANA (effective 1/1/2013) and the UNITED STATES OF AMERICA (effective 1/4/2014) to use any product in the installation or repair of any public water system or any plumbing in a facility or system that provides water for human consumption if the wetted surface area of the product has a weighted average lead content greater than 0.25%. This prohibition does not extend to service saddles used in California, Louisiana or under USA Public Law 111-380.